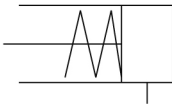


## C(D)85-S/T, ISO Cylinder, Single Acting, Single Rod CD85N25-100S-B

### Data Sheet

The C85 series conforms to ISO 6432 and CETOP RP52P. The C85 is available in bore sizes 8mm through 25mm with standard strokes ranging from 10mm through 300mm. A unique rod packing design prevents entry of dust and the effectiveness of the seal is such that the C85 is suitable for use in extremely dusty environments. With abrasion resistant packings and replaceable nose seals, the C85 offers exceptional service life.

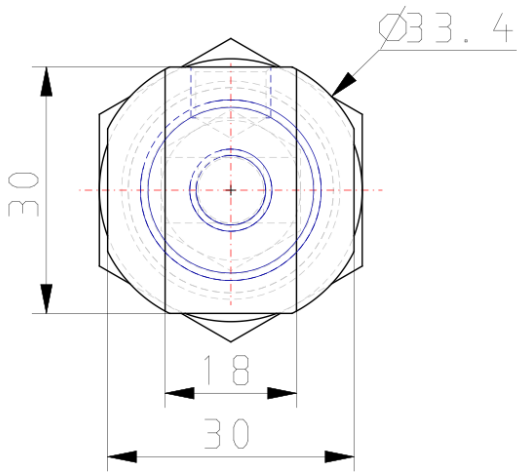
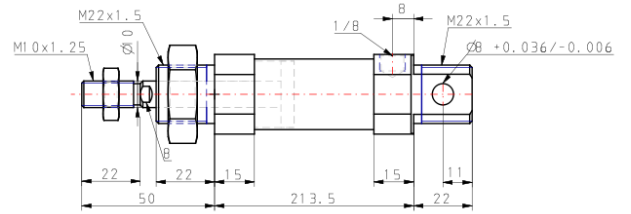
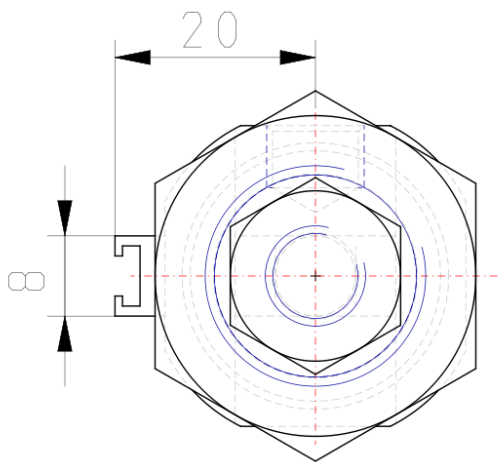


*Single-acting cylinder, single piston rod, return stroke by spring*

## Standard Specifications

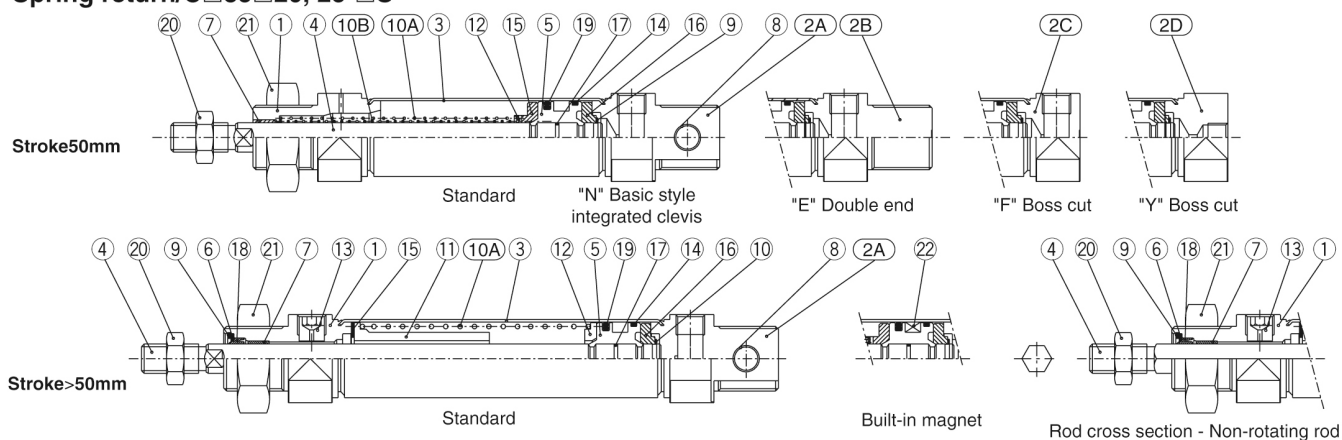
Magnet	Built-in
Mounting	Basic Integrated Clevis
Bore Size	25mm
Stroke	100 mm
Action	Spring Return
Switch Mounting	Band
Pressure medium	Compressed air
Maximum temperature of pressure medium	80 °C
Maximum temperature of pressure medium with magnet	60 °C
Minimum temperature of pressure medium	-20 °C [without condensation]
Minimum temperature of pressure medium with magnet	-10 °C [without condensation]
Maximal operating pressure	1 Mpa
Minimum operating pressure	0.18 Mpa
Proof pressure	1.5 Mpa
Maximum ambient temperature	-20°C
Maximum ambient temperature with magnet	-10°C
Minimum ambient temperature	80°C
Minimum ambient temperature with magnet	60°C
Number of pneumatic connections	1 pc.
Pneumatic input connection	G 1/8
Pneumatic output connection	G 1/8
Mode of operation of drive single	Single acting, spring return
Maximum piston speed	1500 mm/s
Type of cushioning	Rubber bumper
Piston rod end	External thread
Geometric form of the piston rod	Single rod
Malethread of rod end	M10 x 1.25
Usable tubing material	PU
Weight	0.457 kg

## Dimensions



## Constructions

### Single acting: Single rod Spring return/C□85□20, 25-□S



#### Component Parts

No.	Description	Material	Quantity	Remarks
①	Rod cover	Aluminum alloy	1	White anodized
②A	Head cover N	Aluminum alloy	1	White anodized
②B	Head cover E	Aluminum alloy	1	White anodized
②C	Head cover F	Aluminum alloy	1	White anodized
②D	Head cover Y	Aluminum alloy	1	White anodized
③	Cylinder tube	Stainless steel	1	
④	Piston rod	Carbon steel*	1	Hard chrome plated
⑤	Piston	Aluminum alloy	1	Chromated
⑥	Plain washer	Carbon steel	1	Nickel plated
⑦	Bushing	Sintered bronze	1	
⑧	Bushing	Sintered bronze	1	
⑨	Retaining ring	Carbon steel	1	Nickel plated
⑩A	Return spring A	Piano wire	1	Zinc chromated

\* Stainless steel (Non-rotating rod)

No.	Description	Material	Quantity	Remarks
⑩B	Return spring B	Piano wire	1	Zinc chromated
⑪	Spring guide	Aluminum alloy	1	
⑫	Spring holder	Aluminum alloy	1	
⑬	Set screw	Carbon steel	1	
⑭	Wear ring	Phenolic resin	1	
⑮	Bumper A	Urethane	1	
⑯	Bumper B	Urethane	1	
⑰	Piston gasket	NBR	1	
⑱	Piston seal	NBR	1	
⑳	Rod end nut	Carbon steel	1	Nickel plated
㉑	Mounting nut	Carbon steel	1	Nickel plated
㉒	Magnet		1	(Switch style only)

## Additional information

Catalogue

[C85\\_C75-A\\_EU.pdf](#)

## Related Products



**D-M9N**  
D-\*\*PC, Pre-wired Connector Auto Switch



**D-M9NW**  
D-\*\*PC, Pre-wired Connector Auto Switch



**D-A96**  
A90/A93/A96, Reed Switch, Direct Mounting, Grommet, In-line



**AS2201F-G01-06SA**  
AS\*2/3\*1F-A, Speed Controller with One-touch Fitting, Push Lock, Elbow/Universal Type



**AS2301F-G01-06SA**  
AS\*2/3\*1F-A, Speed Controller with One-touch Fitting, Push Lock, Elbow/Universal Type



**AS2002F-06A**  
AS\*2F-A, Speed Controller, One-touch Fitting, In-line, Push Lock



**KQ2H06-G01AS**  
KQ2H, One-touch Fitting White Color - Male Connector



**TU0604BU-20**  
TU, Polyurethane Tubing, Metric Size



**AR**  
AR10-60, Modular Style Regulator



**SY**  
SY3000/5000/7000, Subplate for Single Unit New SY, IP67 Compliant



**RB**  
RB, Shock Absorber